



10.4" Industry Touch Monitor

GHK-10IP-TC

FEATURES

- SVGA (800 x 600) (230 cd/m2)
- VGA & DVI Signal Input
- 5 Wire Resistive Touch Screen (Optional)
- OSD Control on the Back Side
- DC 12V Power Input
- Support VESA Wall Mount and Embedded Mount



RoHS



10.4
Inch
TFT

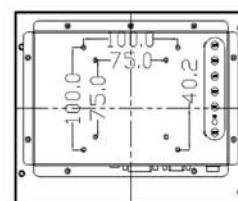
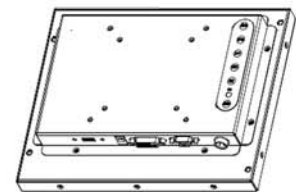
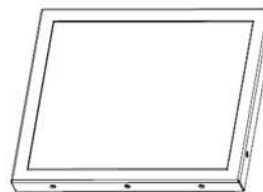
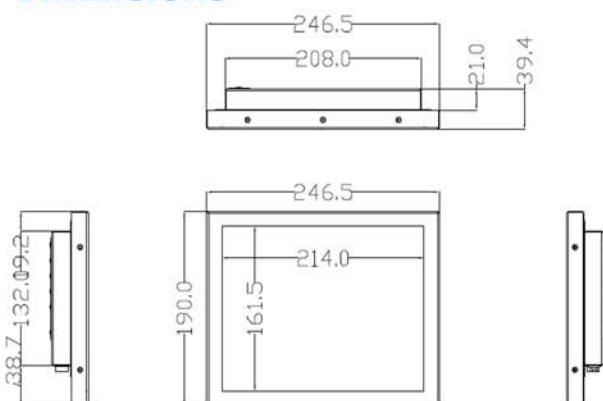


IP65

PRODUCT SPECIFICATIONS

LCD	
Panel Type	AU LCD Panel (Optional)
Resolution (pixel)	800*600
Display Area (mm)	211.2(H)x158.4(V)
Brightness (nit)	230nit / 400nit (Optional)
Contrast Ratio	500:1
Colors	16.2M / 262k colors
View Angle (U/D/L/R)	55/65/70/70
Backlight Lifetime	30000hrs
OSD Control	Auto Menu Select (+,-) Exit On/Off
Touch Screen	
Type	5 Wire Resistive
Resolution(pixel)	4096*4096
Transmittance	>90%
Interface	
Signal Input	VGA+DVI (15 Pin D-sub/DVI-D Connector)
Touch Connectors	USB / RS232(Optional)
Power	
Power Input	DC-in 12V=4A (50~61HZ)-DC Jack (2.0mm) & 3-PIN Industrial Connectors
Power Consumption	≤48W
Mechanical	
Material	Steel chassis
Mounting	Support VESA Wall Mount and Embedded Mount
Dimensions	246.5(H) x 190.0(V) x 39.4(D)
Environment	
Operating Temp	-20~70C°
Storage Temp	-30~80C°
Relative Humidity	10~90% @40C° Non-condensing without touch screen
Vibration	1G peak,5~500Hz(Random)
Shock	15G peak acceleration (11msec.duration)
Rating	Facilitate installation of the demolition, solid portfolio
Ordering Information	
GHK-10IP-NC	10.4"Industry Monitor with VGA/DVI input and power adapter (800*600 / 230nit)
GHK-10IP-TC	10.4"Industry Touch Monitor with 5wire resistive touch screen,VGA/DVI input (800*600 / 400nit)

DIMENSIONS



I / O PORT

